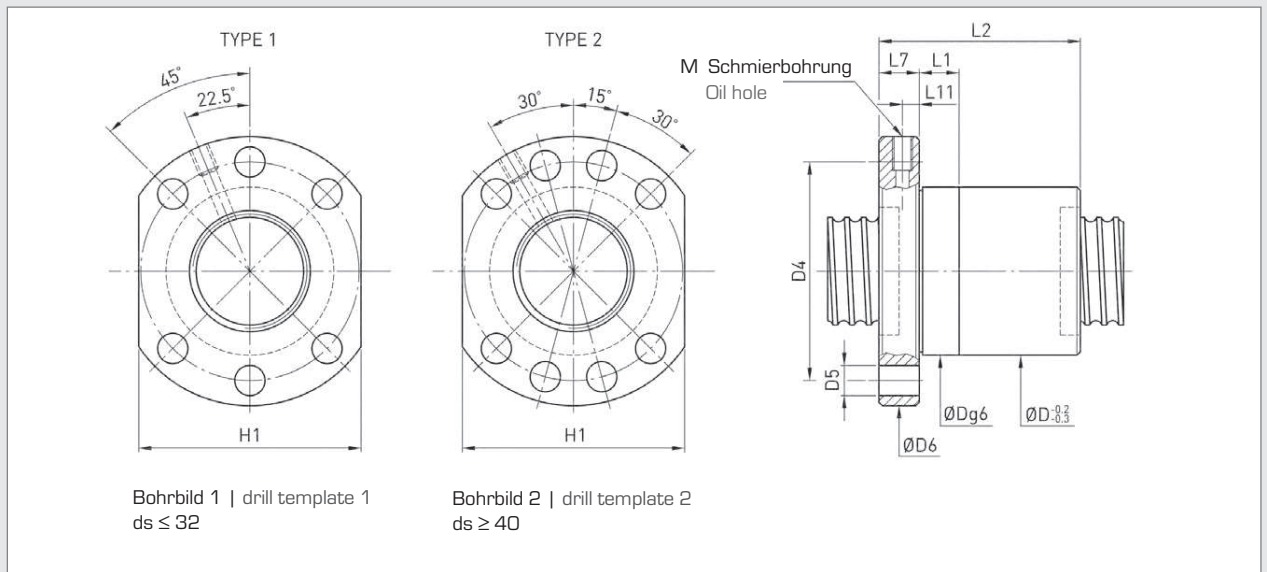


## Kugelgewindemuttern - rechtsgängig, Standardprogramm Ball Screw Nuts - Right Hand, Standard Range



Flansch-Einzelmutter FSI (DIN 69051 Teil 5 Form B)  
für gerollte Kugelgewindespindeln

flange single nut FSI (DIN 69051 part 5 form B)  
for rolled ball screws

Ku d x p	Kugel-Ø Ball Ø	Umläufe circuits	D	D <sub>4</sub>	D <sub>5</sub>	D <sub>6</sub>	Bohrbild Drill template	H <sub>1</sub>	L <sub>1</sub>	L <sub>2</sub>	L <sub>7</sub>	L <sub>11</sub>	M	C <sub>a</sub>	C <sub>0</sub>	Bestell Nr. Part No.
16 x 5	3,175	3	28	38	5,5	48	1	40	10	40	10	5	M6x1P	8 826	16 671	R16-5T3-FSI
20 x 5	3,175	4	36	47	6,6	58	1	44	10	52	10	5	M6x1P	12 749	30 401	R20-5T4-FSI
25 x 5	3,175	4	40	51	6,6	62	1	48	12	52	10	5	M6x1P	14 710	39 227	R25-5T4-FSI
25 x 10	4,763	3	40	51	6,6	62	1	48	16	65	10	5	M6x1P	18 633	41 188	R25-10T3-FSI
32 x 5	3,175	6	50	65	9,0	80	1	62	10	66	12	6	M6x1P	23 536	77 473	R32-5T6-FSI
32 x 10	6,350	4	50	65	9,0	80	1	62	16	85	12	6	M6x1P	38 246	89 241	R32-10T4-FSI
40 x 5	3,175	6	63	78	9,0	93	2	70	10	66	14	7	M8x1P	26 478	100 028	R40-5T6-FSI
40 x 10	6,350	4	63	78	9,0	93	2	70	16	87	14	7	M8x1P	44 130	118 660	R40-10T4-FSI
40 x 20	6,350	2	63	78	9,0	93	2	70	20	88	14	7	M8x1P	18 338	41 619	R40-20T2-FSI
50 x 5	3,175	6	75	93	11,0	110	2	85	10	70	16	8	M8x1P	28 439	127 486	R50-5T6-FSI
50 x 10	6,350	6	75	93	11,0	110	2	85	16	112	16	8	M8x1P	71 589	232 418	R50-10T6-FSI
63 x 10	6,350	6	90	108	11,0	125	2	95	16	114	18	9	M8x1P	60 723	209 951	R63-10T6-FSI
63 x 20	9,525	5	90	108	11,0	125	2	95	16	160	20	10	M8x1P	113 130	345 135	R63-20T5-FSI
80 x 10	6,350	6	105	125	13,5	145	2	110	20	114	20	10	M8x1P	69 559	279 568	R80-10T6-FSI
80 x 20	9,525	5	125	145	13,5	165	2	130	25	175	25	12	M8x1P	131 890	465 296	R80-20T5-FSI

dynamische Tragzahl | dynamic load  
statische Tragzahl | static load

C<sub>a</sub> [N]  
C<sub>0</sub> [N]